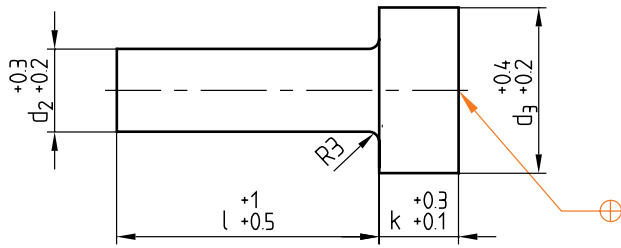


Z50/...

Mat.: 1.2826/740 N/mm²

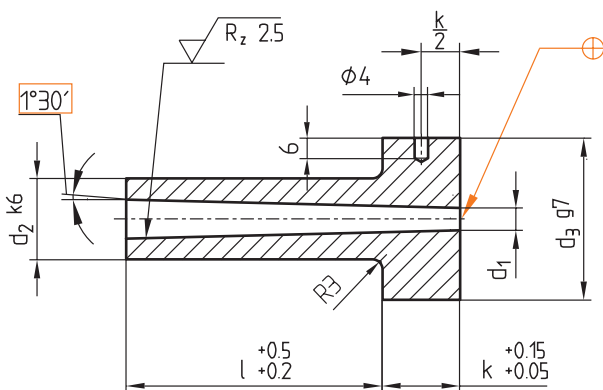


| d_3 | k | d_2 | l | Nr./No. |
|-------|----|-------|----|-----------|
| 38 | 18 | 18 | 36 | Z50/18x36 |
| | | | 56 | 56 |
| | | | 76 | 76 |

| d_3 | k | d_2 | l | Nr./No. |
|-------|----|-------|-----|------------|
| 48 | 23 | 24 | 56 | Z50/24x 56 |
| | | | 76 | 76 |
| | | | 96 | 96 |
| | | | 136 | 136 |

Z51/...

Mat.: 1.2826/55 ± 2 HRC
 ≈ DIN 16752 - D



► Info

| d_3 | k | d_2 | l | d_1 | Nr./No. |
|-------|--------|-------|----|--------|---------------|
| 38 | 18 | 18 | 27 | 3,5 | Z51/18x27/3,5 |
| | | | 36 | | 36/3,5 |
| | | | 46 | | 46/3,5 |
| | | | 56 | 56/3,5 | |
| | | | 27 | 4,5 | 27/4,5 |
| | | | 36 | | 36/4,5 |
| 46 | 46/4,5 | | | | |

| d_3 | k | d_2 | l | d_1 | Nr./No. | |
|-------|----|-------|----|-------|---------------|--------|
| 38 | 18 | 18 | 56 | 4,5 | Z51/18x56/4,5 | |
| | | | | | 76 | 76/4,5 |
| | | | | | 76 | 76/4,5 |
| 48 | 23 | 24 | 46 | 4,5 | Z51/24x46/4,5 | |
| | | | | | 56 | 56/4,5 |
| | | | | | 76 | 76/4,5 |
| | | | 56 | 6,5 | 56 | 56/6,5 |
| | | | | | 76 | 76/6,5 |
| | | | | | 76 | 76/6,5 |

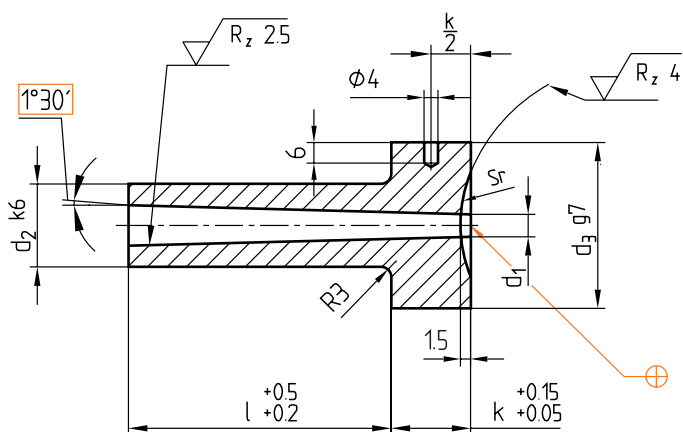
This is trial version
 www.adultpdf.com

Z51/...

Mat.: 1.2826/55 ± 2 HRC
 ≈ DIN 16752-D



► Info



| d ₃ | k | d ₂ | l | d ₁ | Sr | Nr./No. | Sr | Nr./No. |
|----------------|-----|--------------------|----|----------------|------------------|--------------------|----|--------------------|
| 38 | 18 | 18 | 27 | 3,5 | 15,5 | Z51/18x27/3,5/15,5 | 40 | Z51/18x27/3,5/40 |
| | | | 36 | | | 36 | | |
| | | | 46 | | | 46 | | |
| | | | 56 | | | 56 | | |
| | | | 27 | | | 4,5 | | Z51/18x27/4,5/15,5 |
| | | | 36 | 36 | | | | |
| | | | 46 | 46 | | | | |
| | | | 56 | 56 | | | | |
| | | | 76 | 76 | | | | |
| | | | 48 | 23 | | 24 | | 46 |
| 56 | 56 | | | | | | | |
| 76 | 76 | | | | | | | |
| 56 | 6,5 | Z51/24x56/6,5/15,5 | | | Z51/24x56/6,5/40 | | | |
| 76 | | 76 | | | | | | |
| 76 | | 76 | | | | | | |

This is trial version
 www.adultpdf.com